

# Capsule Pressure Gauges

## Model 611.10, Standard Series

## Model 631.10, Stainless Steel Series

WIKA Data Sheet PM 06.01



### Applications

- Pressure gauge for use in protected environments
- Medical, vacuum, environmental, laboratory technology, for contents measurement and filter monitoring
- For gaseous, dry and non-aggressive media
- Model 631.10 also for aggressive media

### Special Features

- Zero adjustment in front
- Special connection location on request
- Low scale ranges from 0 ... 25 mbar



Capsule Pressure Gauge Model 611.10

## Description

### Design

EN 837-3

### Nominal size in mm

50, 63

### Accuracy class

1.6

### Scale ranges

NS 50: 0 ... 60 mbar to 0 ... 600 mbar

NS 63: 0 ... 25 mbar to 0 ... 600 mbar

or all other equivalent vacuum or combined pressure and vacuum ranges

### Pressure limitation

Steady: full scale value

Fluctuating: 0.9 x full scale value

### Operating temperature

Ambient: -20 ... +60 °C

Medium: +100 °C maximum

### Temperature effect

When the temperature of the measuring system deviates from the reference temperature (+20 °C):  
max.  $\pm 0.6 \%$  / 10 K of full scale value

### Ingress protection

IP 32 per EN 60 529 / IEC 529

## Standard version

### Process connection

Model 611.10: Cu-alloy  
 Model 631.10: stainless steel  
 lower mount (LM) or back mount (BM)  
 (NS 50: only back mount (BM))  
 G ¼ B (male), 14 mm flats

### Pressure element

Model 611.10: Cu-alloy  
 Model 631.10: stainless steel

### Sealing

NBR

### Movement

Cu-alloy

### Zero adjustment

In front

### Dial

Aluminium, white, black lettering

### Pointer

Aluminium, black

### Case

Steel, black

### Window

Clear plastic, domed, snap-fit in case

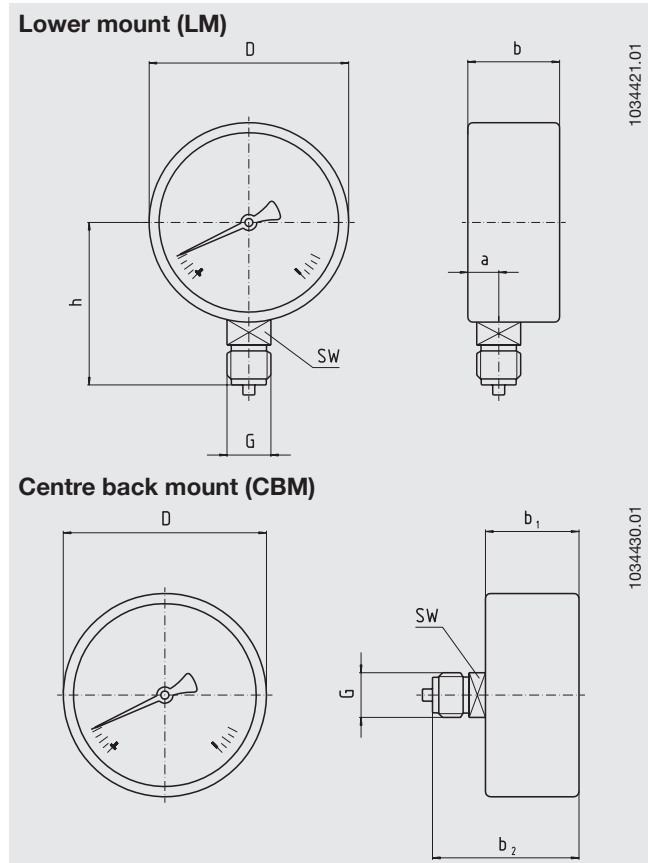
## Options (NS 63)

- Other process connection
- Case stainless steel
- Overpressure or vacuum safety at  
 scale ranges > 25 mbar: 10 x full scale value  
 scale ranges 25 mbar: 3 x full scale value
- Slip-on bezel <sup>1)</sup>
- Panel or surface mounting flange <sup>1)</sup>
- Triangular bezel with clamp <sup>1)</sup>

1) also for NS 50

## Dimensions in mm

### Standard version



NS	Dimensions in mm					D	G	h ± 1	SW	Weight in kg
	a	b	b <sub>1</sub>	b <sub>2</sub>						
50	-	-	28	47	50	G ¼ B	-	14	0.09	
63	9.5	40	36.5	54.5	63	G ¼ B	51	14	0.20	

Process connection per EN 837-3 / 7.3

## Ordering information

Model / Nominal size / Scale range / Connection size / Connection location / Options

Modifications may take place and materials specified may be replaced by others without prior notice.  
 Specifications and dimensions given in this leaflet represent the state of engineering at the time of printing.



**WIKAL Alexander Wiegand GmbH & Co. KG**  
 Alexander-Wiegand-Straße 30  
 63911 Klingenberg/Germany  
 Tel. (+49) 9372/132-0  
 Fax (+49) 9372/132-406  
 E-mail info@wika.de  
 www.wika.de