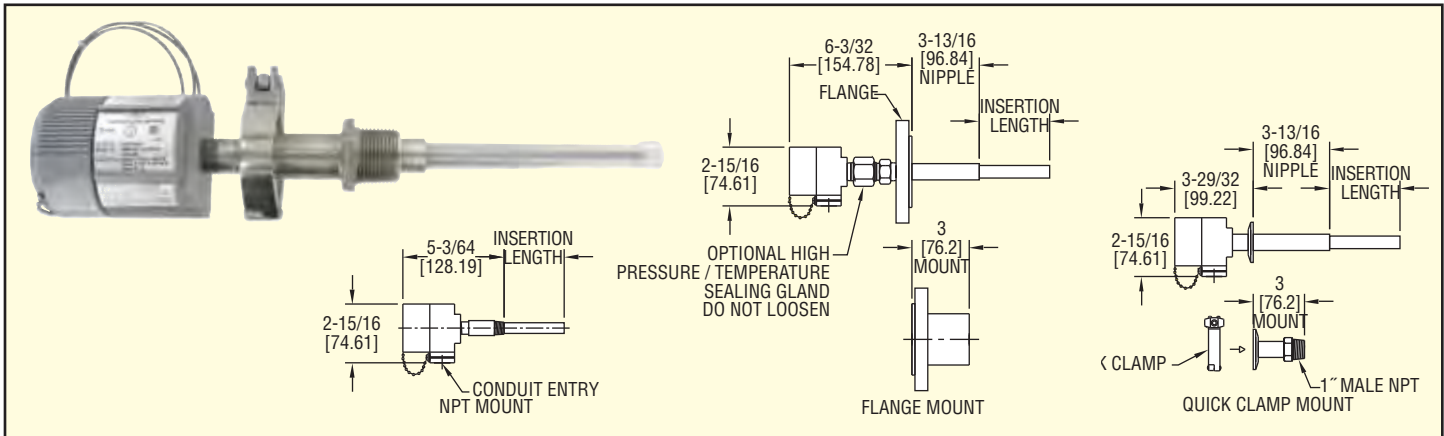




Series
PMS

Particulate Sensor

Reliable Operation, Minimal Maintenance



The **PMS Particulate Sensor** employs a field-proven combination of passive-induction and protected-probe technologies. As particles flow near and around the probe, minute currents are dynamically induced into the probe by flowing particulate. A DSP processes the signal into an absolute output that is reasonably linear to mass. Protective layers over the probe work in combination with induction-sensing to ensure reliable operation with all types of particulate including moist powders and highly conductive dusts. Maintenance is minimal and there is no need for an air purge. For durability, the sensors are passive and free of electronics. The PMS Particulate Sensor is designed to be used with the DPM Particle Monitor in order to be intrinsically safe.

PMS Particulate Sensor

- More effective control than "broken bag detectors".
- Protect downstream blowers, oxidizers, HEPAs, etc.
- For baghouses, cartridge filters, bin vents, and cyclones.
- Repeatable in all applications (conductive and moist dusts).

How To Order:

Determine model number from model chart using example as a guide.
Select desired length of Particulate Sensor cable from cable model chart.

Example	PMS	A1	1	T1	P1	L1.5	PMS-A11T1P1-L1.5: PMS Particulate Sensor, Weatherproof, NEMA 4X, 1/2" NPT Connection, 250°F Max Temp., 10 psi Max Pressure, 1.5" Probe.
Series Designator	PMS						PMS Particulate Sensor
Enclosure Rating		A1 AHZ1					Weatherproof, NEMA 4X Intrinsically Safe, CSA & CEA Approvals, Class I, II, and III. Division I & II, All Groups, NEMA 4X (requires Quick Clamp connection or flange mount)
Process Connection			1 2 3 4				1/2" NPT 1" NPT with 1.5" Quick Clamp Connection 2" 150# ANSI Flange 2" 150# ANSI Flange with Process Mating Flange and Installation Kit
Maximum Process Temperature				T1 T2 T3 T4			250°F (121°C) 450°F (232°C) 800°F (426°C) - requires flange mount 1200°F (649°C) - requires flange mount
Maximum Process Pressure					P1 P2		10 psi 100 psi - requires flange mount
Insertion Length (Recommended at Least 1/2 Duct Diameter)						L1.5 L03 L05 L10 L15 L20 L30 L36 L48 L60 L72	1.5" Probe 3" Probe 5" Probe 10" Probe 15" Probe 20" Probe 30" Probe 36" Probe 48" Probe 60" Probe 72" Probe

Model	Description	Model	Description
CAB-10	10 foot sensor cable	CAB-30	30 foot sensor cable
CAB-20	20 foot sensor cable	CAB-40	40 foot sensor cable

Consult factory for custom cable lengths up to 300 feet.

SPECIFICATIONS

- Service:** Air and compatible gases, any type particulate.
- Wetted Materials:** T1 and T2: 316SS and PFA; T3 and T4: 316SS and ceramic.
- Minimum Detection:** 5.0 pA.
- Temperature Limits:**
 - Ambient: Maximum -40 to 392°F (-40 to 200°C) (maximum must be calculated for each application);
 - Process: See model chart.
- Pressure Limits:**
 - Standard: Full vacuum to 10 psi (0.69 bar);
 - Optional: 100 psi (6.89 bar).
- Output Signal:** pA.
- Electrical Connection:** Low noise coaxial.
- Process Connection:** See model chart.
- Enclosure:**
 - Standard: Painted cast aluminum, weatherproof, NEMA 4X;
 - Optional: Intrinsically safe, CSA (must use with proper DPM model).
- Weight:** Varies depending on length of probe and type of mount.
- Agency Approvals:** CE, CSA