

DMT340 Series Dewpoint and Temperature Transmitters for very dry conditions



The display shows measurement trends, real time data and history.

Features/Benefits

- Measures dew points from -60 °C to +80 °C (-76 ... +176 °F) with the accuracy of ± 2 °C (± 3.6 °F)
- Vaisala DRYCAP® Sensor provides accurate, reliable measurement with excellent long-term stability and fast response
- Withstands condensation
- Unique auto-calibration feature
- Optional alarm relays, local display and mains power supply module
- Compatible with Vaisala DRYCAP® Hand-Held Dewpoint Meter DM70
- NIST traceable (certificate included)
- 3 analog outputs and a serial interface, WLAN/LAN

The Vaisala DRYCAP® Dewpoint and Temperature Transmitter Series DMT340 is designed for industrial low humidity applications. Typical applications include compressed air drying and metal treatment. The device is very reliable, easy to use and economical to maintain.

Stability in low dew points

The Vaisala DRYCAP® Sensor is immune to particulate contamination, water condensation, oil vapor and most chemicals. Since the sensor withstands condensation, its performance is unmatched for low dew point applications that experience water spikes in the process. The sensor recovers rapidly from contact with free water.

Patented auto-calibration

The stability of the DMT340 is due to the unique auto-calibration function, patented by Vaisala.

The auto-calibration makes the transmitter perform a calibration and adjustment by itself while the measured process is running. If the measurement accuracy is not confirmed, corrections are made automatically. The procedure is so quick and corrections are so minor that it will go unnoticed. This ensures low maintenance and high performance. To continue performance at the highest level, the transmitter can be sent to Vaisala for a NIST traceable calibration. Calibration intervals depend on the application; in normal conditions, a NIST traceable calibration in every two years is recommended.

Graphical measurement trend and history display

The DMT340 can be ordered with a large numerical and graphical display with a multilingual menu. It allows

the user to monitor measurement trends and one-year history. The optional data logger with real-time clock makes it possible to generate more than four years of measured history and zoom in on any desired time or time frame. The display alarm allows tracking of any measured parameter, with a freely configurable low and high limit.

Versatile outputs and (wireless) data collection

The DMT340 can be connected to a network with an optional (W)LAN interface, which enables a (wireless) Ethernet connection.

For serial interface also the USB connection, RS232 and RS485 can be used. Additionally an alarm relay option is available.

The transmitter can have up to three analog outputs. Galvanic isolation of supply power and analog outputs are also offered.

The recorded measurement data can be viewed on the display or transferred to a PC with Microsoft Windows® software.

Easy installation

The DMT340 has a variety of features to choose from. Units are delivered installation-ready.



The Vaisala DRYCAP® HandHeld Dewpoint Meter DM70 is ideal for field checking DMT340 transmitters.

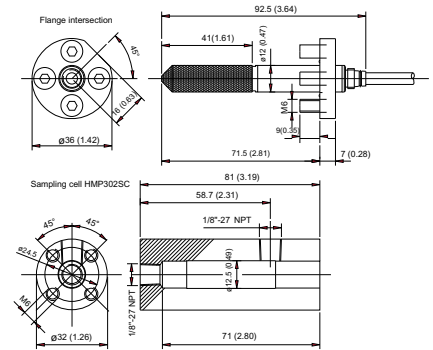


The DMT342 probe is installed using a flange or sampling cell. The small probe is ideal for integrating into larger equipment.

| Probe specifications | |
|---|-----------------------------|
| DMT342 with Small Size Flanged Probe | |
| Pressure range | 0 ... 50 bar/0 ... 725 psia |
| Mechanical durability | up to 250 bar/3625 psia |
| Probe diameter | 12 mm/0.5 inch |
| Installation | |
| Flange | 36 mm/1.4 inch |
| Sampling cell | HMP302SC |

Dimensions

Dimensions in mm (inches)

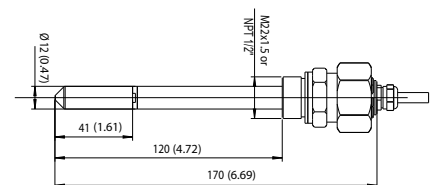


The DMT344 features a threaded connection for extended pressures with different fitting body options. It is ideal for permanent installations into pressurized or vacuum processes.

| Probe specifications | |
|---|-----------------------------|
| DMT344 with Probe for High Pressures | |
| Pressure range | 0 ... 50 bar/0 ... 725 psia |
| Mechanical durability | up to 100 bar/1450 psia |
| Probe diameter | 12 mm/0.5 inch |
| Installation | |
| Fitting Body | M22 x 1.5 |
| Fitting Body | NPT 1/2" |

Dimensions

Dimensions in mm (inches)





The DMT347 probe is ideal for tight spaces with thread connection. The small probe is installed using the Swagelok® connectors.

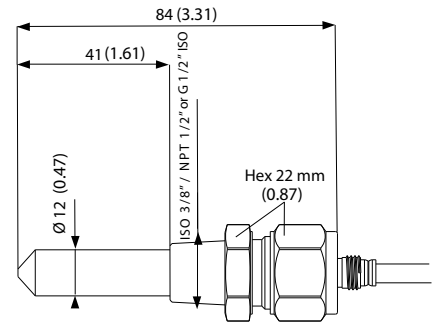
Probe specifications

DMT347 with Small Sized Probe

| | |
|-----------------------|-----------------------------|
| Pressure range | 0 ... 10 bar/0 ... 145 psia |
| Mechanical durability | up to 10 bar/ 145 psia |
| Probe diameter | 12 mm/0.5 inch |
| Installation | |
| Fitting Body | R 3/8" ISO |
| Fitting Body | G 1/2" ISO |
| Fitting Body | NPT 1/2" |

Dimensions

Dimensions in mm (inches)



The DMT348 is ideal for installations in pressurized processes where the probe needs to be removed while the process is running. The probe depth is adjustable.

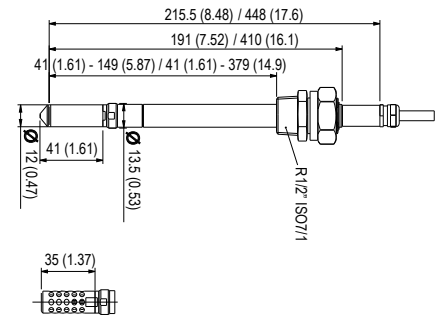
Probe specifications

DMT348 with Probe for Pipeline Installations

| | |
|-------------------|---|
| Pressure range | 0 ... 40 bar/0 ... 580 psia |
| Adjustable length | 41 ... 149/371 mm/ 1.61 ... 5.87/14.6 inch |
| Installation | |
| Fitting Body | R1/2" ISO |
| Fitting Body | NPT 1/2" |
| Ball Valve Set | BALLVALVE-1 |
| Sampling Cell | DMT242SC or DMT242SC2 |

Dimensions

Dimensions in mm (inches)



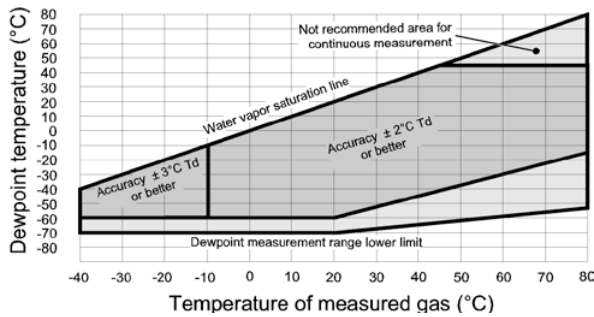
Optional filter for low pressures
(for all models)

Technical data

Measured parameters

DEW POINT

| | | |
|------------------------------|--|--|
| Sensor | Vaisala DRYCAP®180M | |
| Measurement range | -60 ...+80 °C (-76 ...+176 °F) Td | |
| For continuous use | -60 ...+45 °C (-76 ...+113 °F) Td | |
| Accuracy | ±2 °C/±3.6 °F see the accuracy graph below | |
| up to 20 bar/290 psia | ±2 °C/±3.6 °F see the accuracy graph below | |
| 20 ...50 bar/290 ...725 psia | additional inaccuracy +1 °C Td | |



Dew point accuracy vs. measurement conditions

| | | |
|------------------------------------|------------------------------------|--|
| Response time | 63% [90%] at +20°C gas temperature | |
| Flow rate | 1 l/min and 1 bar pressure | |
| -60 ...-20 °C Td (-76 ...-4 °F Td) | 5s [10s] | |
| -20 ...-60 °C Td (-4 ...-76 °F Td) | 45s [10min] | |

TEMPERATURE

| | | |
|--------------------|------------------------------|--|
| Measurement range | 0 ...+80 °C (+32 ...+176 °F) | |
| Accuracy | ±0.2 °C at room temperature | |
| Temperature sensor | Pt 100 IEC 751 1/3 class B | |

RELATIVE HUMIDITY

| | | |
|----------------------------------|------------------------------|--|
| Measurement range | 0 ... 70 %RH | |
| Accuracy (RH <10 %RH, at +20 °C) | ±0.004 %RH + 20 % of reading | |

PPM

| | | |
|---|-------------------------|--|
| Measurement range (typical) | 10 ...2500 ppm | |
| Accuracy (at +20 °C, 1 bar) | 1 ppm + 20 % of reading | |
| Other measurement parameters available (depends on model) mixing ratio, absolute humidity, pressure dew point calculated to 1 bar, temperature difference (T-Td), water vapor pressure | | |

Operating environment

| | | |
|--|---|--|
| Operating temperature | for probes -40 ...+80 °C (-40 ...+176 °F) | |
| Mechanical durability | Up to +180 °C (+356 °F) | |
| for transmitter body | -40 ...+60 °C (-40 ...+140 °F) | |
| with display | 0 ...+60 °C (+32 ...+140 °F) | |
| Storage temperature range | -55 ...+80 °C (-67 ...+176 °F) | |
| Pressure range for probes | See probe specifications | |
| Sample flow rate | No effect | |
| Measured gases | non corrosive | |
| Complies with EMC standard EN61326-1, Electrical equipment for measurement, control and laboratory use - EMC requirements; Industrial environment. | | |

Inputs and outputs

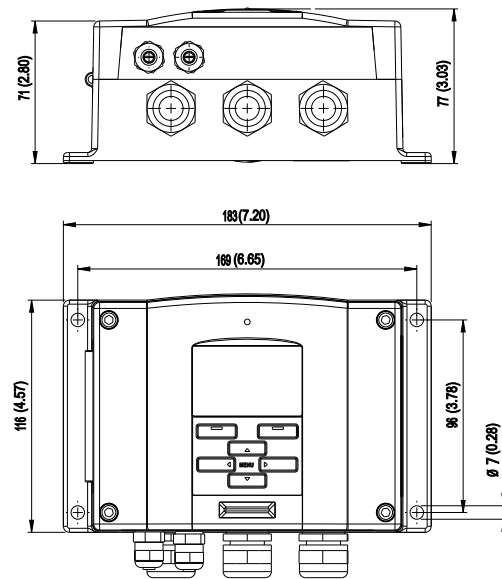
| | | |
|---|--|--|
| Operating voltage | 10 ...35 VDC, 24 VAC | |
| with optional power supply module | 100 ...240 VAC 50/60 Hz | |
| Power consumption @ 20 °C (U _{in} 24VDC) | RS-232 max 25 mA | |
| U _{out} 2 x 0...1V / 0...5V / 0...10V | max 25 mA | |
| I _{out} 2 x 0...20 mA | max 60 mA | |
| display and backlight | + 20 mA | |
| during sensor purge | + 110 mA max | |
| Analogue outputs (2 standard, 3rd optional) | current output 0 ...20 mA, 4 ...20 mA | |
| voltage output | 0 ... 1 V, 0 ... 5 V, 0 ... 10 V | |
| Accuracy of analog outputs at 20 °C | 0.05 % full scale | |
| Temperature dependence of the analog outputs | ± 0.005 %/°C full scale | |
| External loads | current outputs R _L < 500 ohm | |
| 0 ... 1V output | R _L > 2 kohm | |
| 0 ...5V and 0 ... 10V outputs | R _L > 10 kohm | |
| Max wire size | 0.5 mm ² (AWG 20) stranded wires recommended | |
| Digital outputs | RS-232, RS-485 (optional) | |
| Service connection | RS-232, USB | |
| Relay outputs | 0.5 A, 250 VAC, SPDT (optional) | |
| Ethernet interface (optional) | Supported standards 10/100Base-T | |
| Connector | RJ45 | |
| Protocols | Telnet | |
| WLAN interface (optional) | Supported standards 802.11b | |
| Antenna connector type | RP-SMA | |
| Protocols | Telnet | |
| Security | WEP 64/128, WPA | |
| Authentication / Encryption | Open / no encryption | |
| Open / WEP | WPA Pre shared key / TKIP | |
| WPA Pre shared key / CCMP (a.k.a. WPA2) | Optional data logger with real-time clock | |
| Logged parameters | max. three with trend/min/max values | |
| Logging interval | 10 sec (fixed) | |
| Max. logging period | 4 years 5 months | |
| Logged points | 13,7 million points per parameter | |
| Battery lifetime | min. 5 years | |
| Display | LCD with backlight, graphic trend display of any parameter | |
| Display menu languages | English, Chinese, Spanish, German, French, Japanese, Russian, Swedish, Finnish | |

Mechanics

| | |
|----------------------------------|--|
| Cable bushing | M20x1.5 for cable diameter 8 ... 11mm/0.31 ... 0.43" |
| Conduit fitting | 1/2"NPT |
| User cable connector (optional) | M12 series 8 pin (male) |
| option 1 | with plug (female) with 5 m / 16.4 ft black cable |
| option 2 | with plug (female) with screw terminals |
| USB-RJ45 Serial Connection Cable | order no.219685 |
| Probe cable diameter | 5.5 mm |
| Probe cable lengths | 2 m, 5 m or 10 m |
| Housing material | G-AISI 10 Mg (DIN 1725) |
| Housing classification | IP 65 (NEMA 4X) |

Dimensions

Dimensions in mm (inches)



DRYCAP® is a registered trademark of Vaisala.



TYPE APPROVED PRODUCT
CERTIFICATE NO.: A-11440

VAISALA

For more information, visit
www.vaisala.com or contact
us at sales@vaisala.com

Ref. B210952EN-A@Vaisala 2010
This material is subject to copyright protection, with all
copyrights retained by Vaisala and its individual partners. All
rights reserved. Any logos and/or product names are trademarks
of Vaisala or its individual partners. The reproduction, transfer,
distribution or storage of information contained in this brochure
in any form without the prior written consent of Vaisala is strictly
prohibited. All specifications — technical included — are subject
to change without notice.

