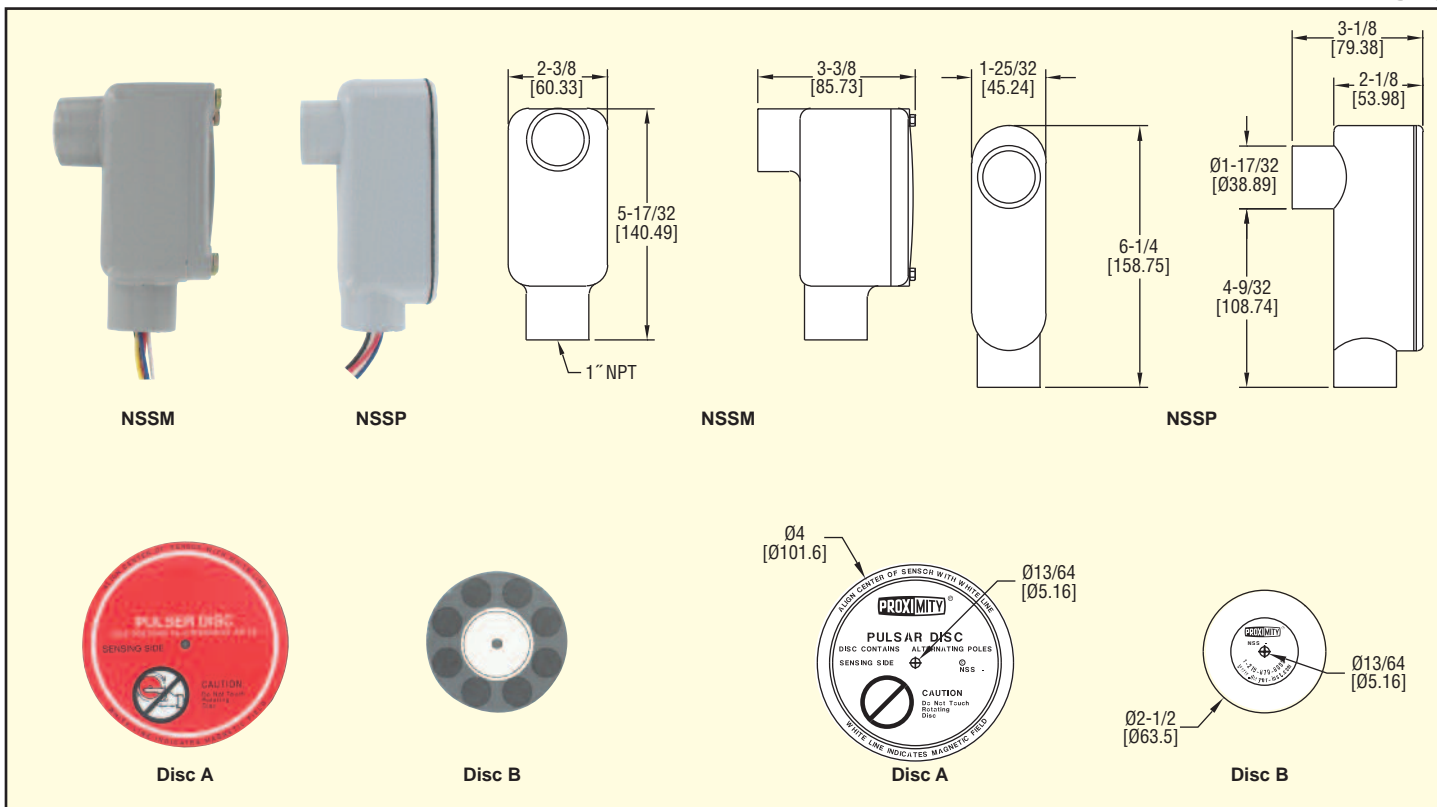




Series
NSS

Non-Contact Speed Switch

Compact PVC or Aluminum Enclosure, Easy Installation



The Series NSS are self-contained rotation monitoring systems that are ideal for detecting the unwanted slowdown of process equipment. These systems bring efficiency and safety to your operations by preventing machine damage, product waste and costly downtime.

Each switch is used with a shaft-end mounted pulsar DISC which generates an alternating magnetic field that is picked up by the speed switch. The switch decodes this frequency signal to determine shaft speed and compares this to the pre-adjusted set point, easily calibrated via a single-turn potentiometer. In the event of rotational failure, such as a broken drive, belt slippage, product overloads or clogs, the relay can be used to provide an alarm or equipment shutdown, assuring machine protection and process integrity. The miniature speed switch series is fail-safe; any malfunction during operation will de-energize the control circuit.

SPECIFICATIONS

- Temperature Limits:** Operating -40 to 140°F (-40 to 60°C).
- Enclosure:** NSSP: Polyvinylchloride (PVC). NSSM: Cast aluminum.
- Enclosure Rating:** NEMA 4X (IP65).
- Switch Type:** SPDT.
- Electrical Rating:** 5A @ 115 VAC.
- Electrical Connections:** 18 AWG, 12" (30.48 cm) long.
- Conduit Connections:** 1" female NPT.
- Power Requirements:** 115 VAC, 60 Hz standard.
- Input Signal Type:** NPN open collector.
- Set Point Adjustment:** Single turn (270°) potentiometer.
- Gap Distance:** 3/8" ± 1/8".
- Weight:** NSSP-A1W: 0.54 lb (0.82 lb with disc); NSSP-B1W: 0.54 lb (0.64 lb with disc); NSSM-A1W: 1.58 lb (1.88 lb with disc); NSSM-B1W: 1.60 lb (1.70 lb with disc).
- Agency Approval:** CE.

DISC SPECIFICATIONS

- Materials:** Pulsar discs: Nylon 12, PVC; Disc guards: SS; Easy mount bracket: Aluminum with SS shaft.
- Maximum Speed:** 10,000 RPM at ambient temperature.

Model	Set Point Range	Supply Voltage	Enclosure	Disc Included
NSSP-A1W	10-100 RPM	115 VAC	Plastic	NONE
NSSP-B1W	100-5000 RPM	115 VAC	Plastic	NONE
NSSM-A1W	10-100 RPM	115 VAC	Metal	NONE
NSSM-AKIT	10-100 RPM	115 VAC	Metal	4" A DISC
NSSM-B1W	100-5,000 RPM	115 VAC	Metal	NONE
NSSM-BKIT	100-5,000 RPM	115 VAC	Metal	2-1/2" B DISC

Model	Description
DISCA	ø4" Pulsar disc, 16 magnetic poles for 10-100 RPM units
DISCB	ø2-1/2" Pulse disc, 8 magnetic poles for 100-5000 RPM units
A-290	Easy Mount Bracket assembly for NSSM includes 4" disc
A-291	Disc Guard for easy mount bracket, A-290
A-292	Disc Guard for NSS-AM/BM

