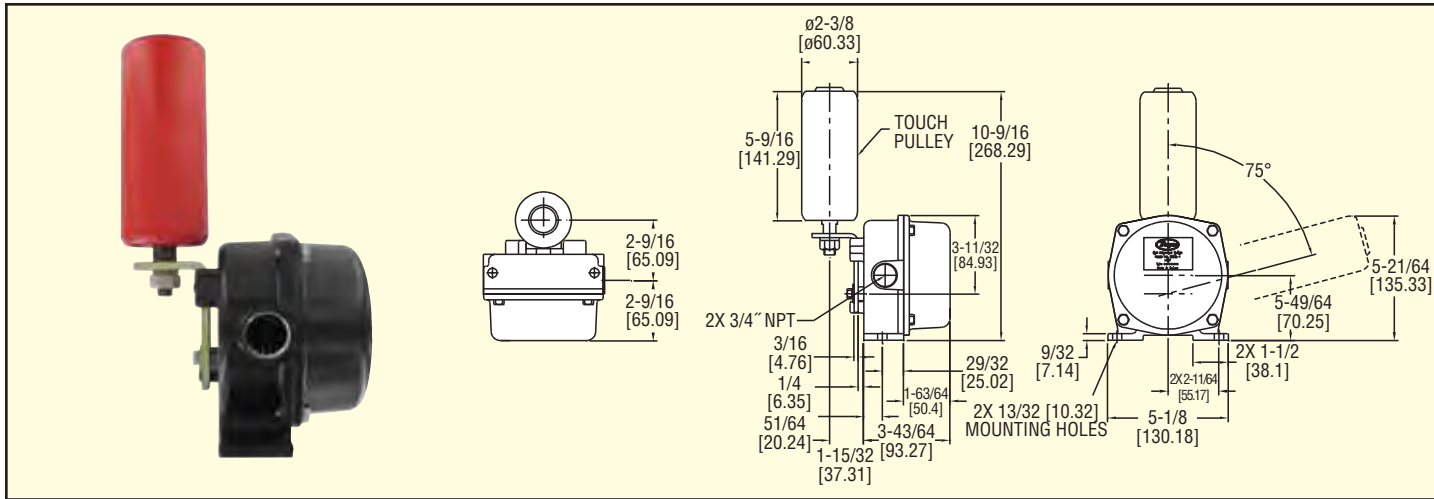




Model  
CBAS

# Belt Alignment Switch

Adjustable Activation Angles, Two Micro Switches



The Model CBAS Belt Alignment Switch is a rugged and reliable conveyor belt alignment switch. The compact die cast aluminum housing is designed for easy installation. The switch cover allows for simple access to wiring terminals and CAM adjustments. Belt alignment switches are typically used in pairs with one switch on each side of the conveyor belt mounted near the first and/or last pulley of a conveyor. Each CBAS is equipped with two micro switches, allowing one actuation angle for small belt deviations and a second actuation angle for extreme belt deviations. The actuation angles are factory set at 20 degrees and 35 degrees, each actuation angle can be easily adjusted in the field to fit any application.

Model CBAS-1, Conveyor Belt Alignment Switch

## SPECIFICATIONS

**Temperature Limits:** -4 to 140°F (-20 to 60°C).

**Enclosure:** Die cast aluminum.

**Enclosure Rating:** NEMA 6 (IP67).

**Switch Type:** 2 SPDT.

**Electrical Rating:** 10 amp @ 125/250 VAC; 1/2 amp @ 125 VDC.

**Electrical Connection:** 3 screw type, common, normally open, normally closed.

**Electrical Conduit:** Two 3/4" female NPT.

**Activation Angles:** 20° and 35° (adjustable).

**Activation Force:** 0.8 to 1.2 lb. (0.36 to 0.54 kg).

**Control Type:** Automatic reset.

**Weight:** 6.4 lb (2.9 kg).