

**products** ///

- Algae Control
- Ammonia
- Calibration
- Chlorine
- Conductivity
- Cooling Tower Monitoring
- Dissolved Oxygen
- Interface Level
- Nitrate/Nitrite
- Odour FOG Control
- pH/ORP
- Self Cleaning Filters
- Sludge Blanket Level
- SRT Control
- Suspended Solids
- TOC/COD
- Turbidity

**Royce Water Technologies P/L**  
ABN 21 110 057 399

**Queensland**

Ph 0428 571 234  
Fax (07) 3857 1236

**NSW**

Ph 0408 079 073  
Fax (02) 9629 7472

**Victoria**

Ph 0439 337 247  
Fax. (03) 9886 3025

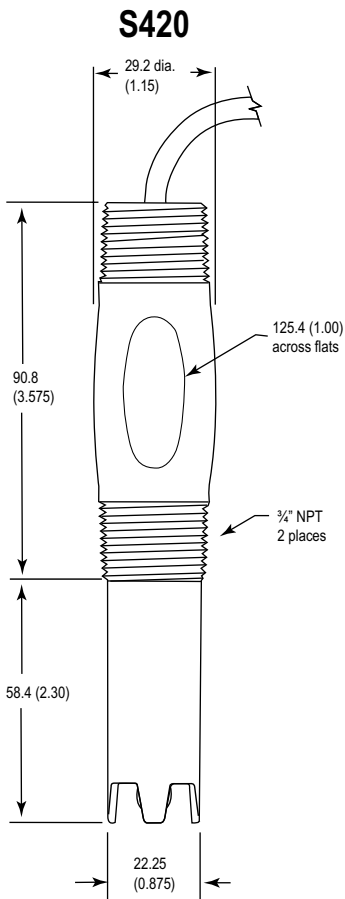
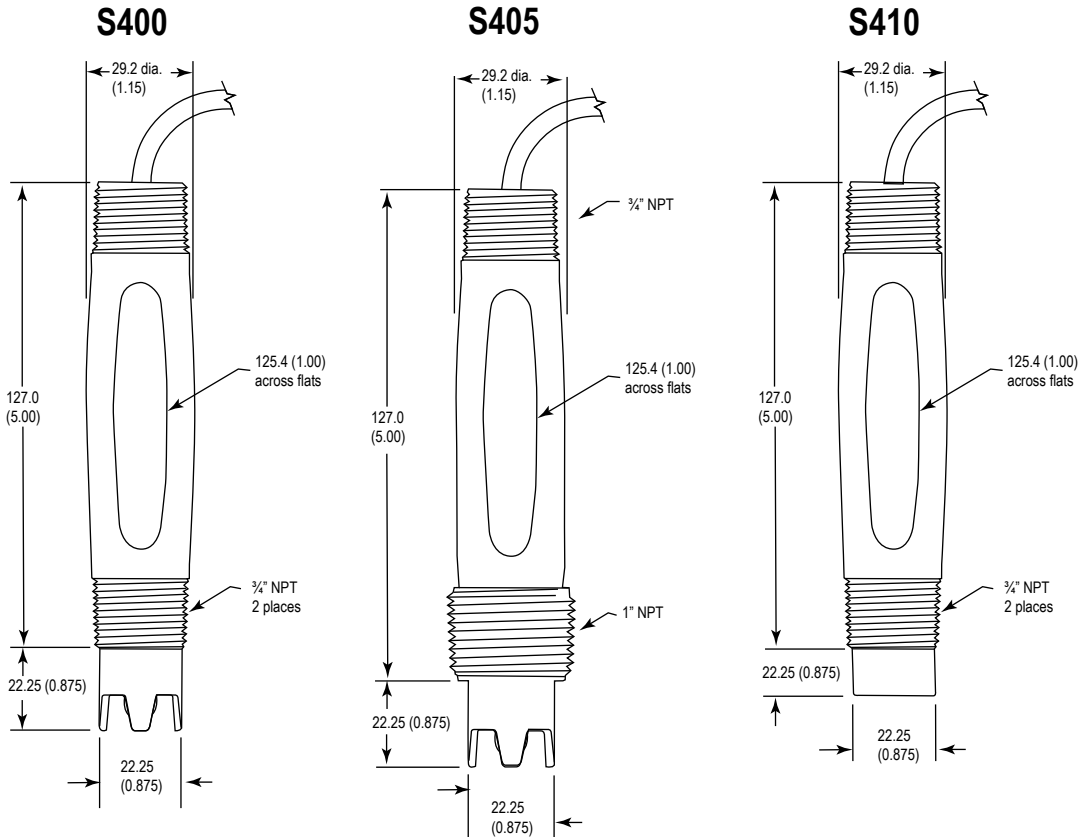
[www.roycewater.com.au](http://www.roycewater.com.au)

**/// S400 Series Ph & Redox Sensors**  
**For The Process Industries**



- Choice of body styles
- Can be used with virtually any pH meter
- Competitive price
- Choice of temperature compensators
- Optional built in solution ground
- Sealed double junction reference
- 3/4" or 1" NPT threaded connection

# /// S400 Series Ph & Redox Sensors For The Process Industries



### **Coaxial Teflon Reference**

Designed to withstand tough industrial applications. Best overall performance with rugged dome bulb.



### **Flat pH Bulb Self Cleaning**

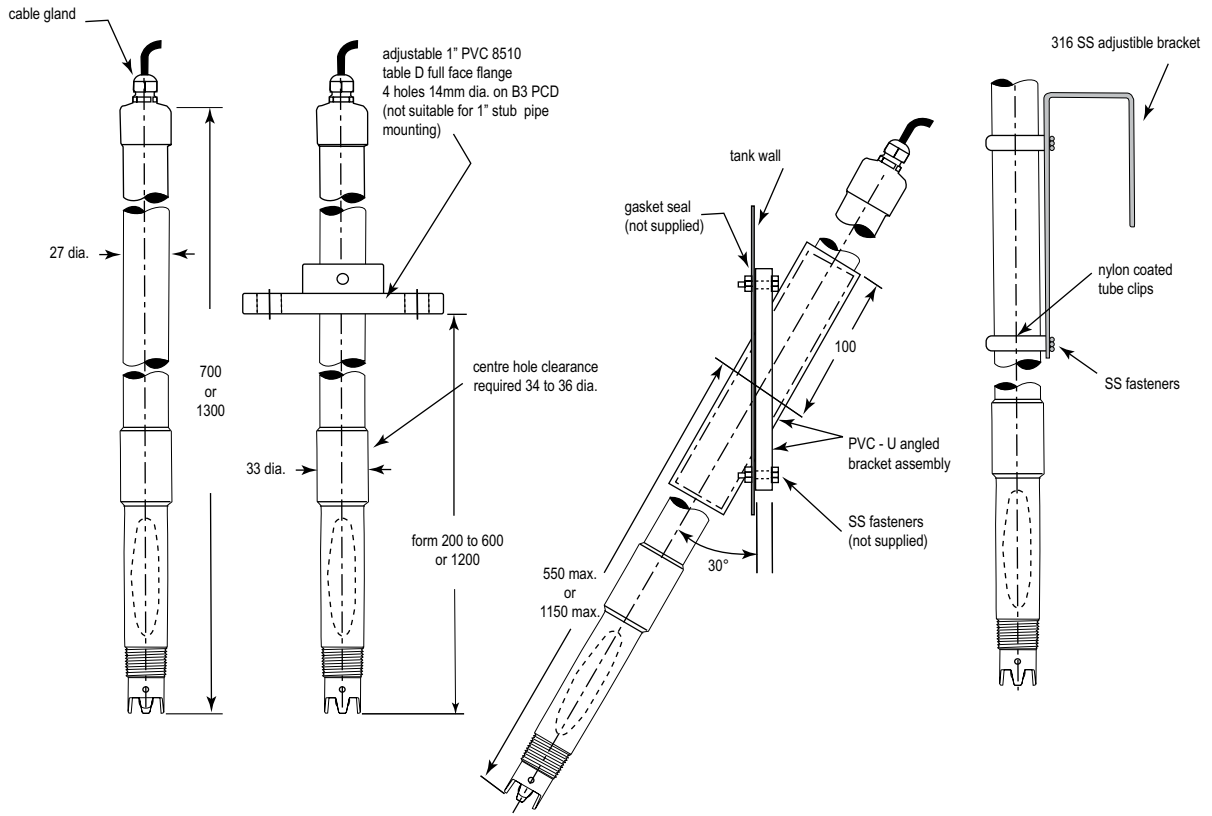
Designed for obstructionless contact with the sample stream for self cleaning service. Features coaxial porous teflon junction.



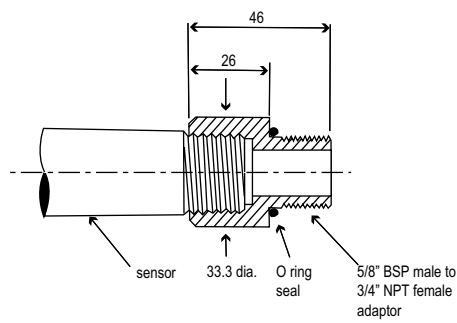
### **Dual Ceramic Pin Junction**

For use in highly alkaline processes. Best choice for use at high pressures

# Dip Mounting Options



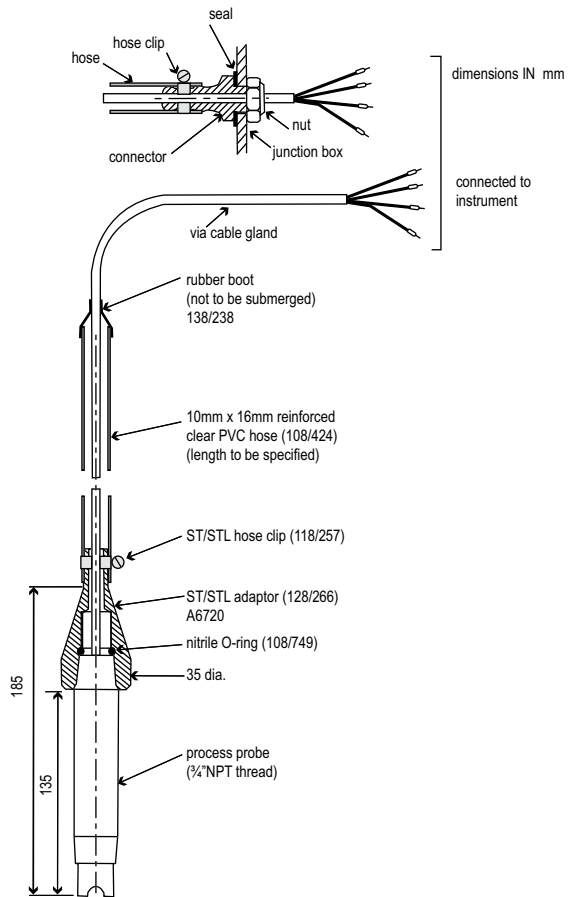
## 5/8" Adapter



The 5/8" adapter allows the S400 electrode to be used as a direct replacement for the P90, R90, P12 and R12 sensors.

## Flexi-Dip

Alternative Connection Via Junction Box





## Specification

---

<b>pH range</b>	0 - 14 pH
<b>Redox range</b>	± 5000 mV
<b>Temperature range</b>	0 - 105°C
<b>Maximum pressure</b>	10 bar at 100°C
<b>Reference</b>	Double junction Ag/AgCl
<b>Glass</b>	HT-3 standard, HT-4 high pH available (above 13pH)
<b>Temperature sensor</b>	Standard Pt1000 *
<b>Wetted materials pH</b>	Ryton, PTFE or ceramic & glass
<b>Wetted materials Redox</b>	Ryton, PTFE or ceramic & platinum
<b>Standard cable length</b>	3 metres with ferrule connections *

\* Other variants available - contact LTH Sales department for details

<b>Part No</b>	<b>Type No</b>	<b>Description</b>
138/026	S400-RT330-M20FF plus 5/8 adapter	pH sensor standard length 5/8", 6 mtr cable with guard. (P12 & P90 replacement)
138/028	S400-RT330-M10FF	pH sensor standard length 3/4", 6 mtr cable with guard. (PI 11 replacement)
138/030	S400-GT33H-N20FF	pH sensor standard length 3/4", solution gnd, 6 mtr cable with guard and Pt1000 temperature element
138/033	S420-GT33H-N10FF	pH sensor 3/4", sol gnd, 3 mtr cable extended length with guard and Pt1000 temperature element
138/034	S410-GT17H-N10FF	pH sensor standard length 3/4", flat glass, solution gnd, 3 mtr cable and Pt1000 temperature element
138/061	S400-RTPB0-M20FF plus 5/8 adapter	Redox (ORP) sensor standard length 5/8", 6 mtr cable with guard.
138/063	S400-RTPB0-M20FF	Redox (ORP) sensor standard length 3/4", 6 mtr cable with guard.